

**SINGER**  
**111W116,W117**

Form 2696w  
(141)  
Printed in U. S. A.

# LIST OF PARTS



## SINGER\*\* MACHINES

Nos. 111w116 and 111w117

---

THE SINGER MANUFACTURING COMPANY

\*\*A Trade Mark of THE SINGER MANUFACTURING COMPANY

From the library of: Diamond Needle Corp

# INSTRUCTIONS FOR OILING

---

To ensure easy running and prevent unnecessary wear of the parts which are in movable contact, the machine requires oiling and when in continuous use, "TYPE B" or "TYPE D" OIL, sold only by Singer Sewing Machine Company, should be applied at least twice each day to all oil holes marked "OIL", as instructed in Form 2663w.

The small felt pad on the side of the bobbin case should be kept wet with oil to lubricate the hook race.

"TYPE D" OIL is stainless.

## INDEX

---

	Page
Accessories .....	17
Bobbin Winder .....	17
Foot Lifter .....	20
Grinder .....	19
Knee Lifter .....	18
Machine No. 111w116 .....	5
Machine No. 111w117 .....	16
Miscellaneous Parts .....	21
Numerical List of Parts .....	23
Thread Unwinder .....	20

From the library of: Diamond Needle Corp.

# INSTRUCTIONS FOR ORDERING

In ordering from this list, use ONLY the PART number in the FIRST column.

The number stamped on a Sewing Machine Part is the number of the Single Part only, except when the part includes Set Screws, Clamping Screws, Studs and Rollers Spun on, Small Wires riveted, or Parts soldered together, etc., which it is necessary to furnish in combination.

Every combination of parts sent out has its specific number which, although not stamped on Parts (except in above case), must be used when ordering the combination.

Each number always indicates the SAME PART in whatever list it appears, or for whatever Machine.

The letters after some of the numbers indicate the style of finish only, as follows:

- A. Hardened, Polished, Nickel Plated and Buffed.
- B. Polished, Nickel Plated and Buffed.
- C. Hardened only.
- D. Polished only.
- E. Soft, not polished.
- F. Hardened and Polished.
- H. Blued.
- J. Nickel Plated only.
- R. Merlized.
- X. Black Oxide.
- XC. Hardened and Black Oxide.
- Y. Blade Nickel only.

These letters MUST BE USED when they appear in the list and AFTER the number, as in the list.

In this series:

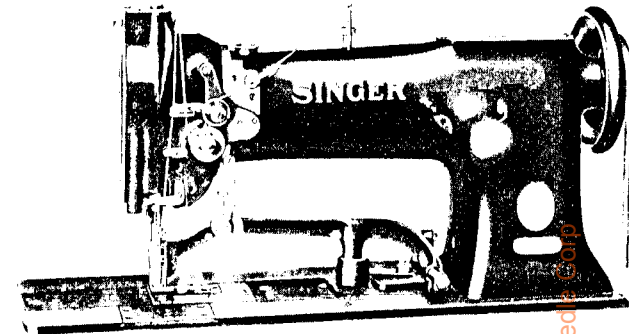
200001 to 201500 and 350001 to 351500 are Screw Numbers.  
 201501 to 201800 and 351501 to 351800 are Nut Numbers.  
 201801 to 202000 and 351801 to 352000 are Roller Numbers.  
 202001 to 350000 are Numbers of Machine Parts.

The figures in the second column refer only to the plate in which the illustration of the part is shown and are NOT TO BE USED in ordering.

Two or more numbers over a cut indicate that the difference between such parts is not visible in an illustration.

Parts marked with an asterisk (\*) are furnished when repairs are made at the factory.

## LIST OF PARTS COMPLETE FOR



### MACHINE No. III w 116

ALTERNATING PRESSERS. VERTICAL TRIMMER.  
 COMPOUND FEED. SAFETY CLUTCH. KNEE LIFTER.  
 FOR LEATHER COATS, LEATHER GLOVES AND COMBINATION  
 LEATHER AND CANVAS GLOVES.

No.	Plate	Name
*240451	-----	Arm with 202175 and two 240174
224002	16661	" Cap
200278H	16661	" " Screw
202248	16661	" " " Washer
204235	16671	" Position Pin (2)
200004E	16671	" Screw (3)
202005	16671	" " Washer (3)
237177	16661	" Shaft with 200357E and 224392
240802	16661	" " Bushing (back) with 202244
202244	16661	" " " " Oil Packing (wick)
200338C	16661	" " " " Set Screw
207080	16661	" " " (front) with 202244
202244	16661	" " " " Oil Packing (wick)
200502B	16661	" " " " " " Thumb Screw

From the library of: Diamond Needle Corp.

No.	Plate	Name
200338C	16661	Arm Shaft Bushing (front) Set Screw
224103	16662	" " Connection Belt
224104	16662	" " " " Pulley with 200327C, 200602E and two 202253
200602E	16662	Arm Shaft Connection Belt Pulley Position Screw
200327C	16662	Arm Shaft Connection Belt Pulley Set Screw
202253	16662	Arm Shaft Connection Belt Pulley Spring Flange
224113	16665	Arm Shaft Connection Belt Timing Collar with 200113F
200113F	16665	Arm Shaft Connection Belt Timing Collar Set Screw
224139	16665	Arm Shaft Connection Belt Timing Plate
200164B	16665	" " " " " " " Screw (2)
224392	16661	Arm Shaft Oil Packing (wick)
200357E	16661	" " " " Stop Screw
224144	16671	Attachment Slide Plate with 213479 and 236061
236061	16671	Attachment Slide Plate Friction Slide
213479	16671	" " " " " " Spring
240452	16661	Balance Wheel (disc) "V" belt groove (outside diam. of belt groove 3.268 in.) with 201346C and 350107C
237202	16661	Balance Wheel (disc) 5-1/4 in.diam. (belt groove 2-3/4 in.diam.) with 200328C and 200335C
350419H	16661	Balance Wheel Adjusting Screw
200328C	16661	" " " Position Screw
350107C	16661	" " " " "
200335C	16661	" " " Set Screw
201346C	16661	" " " " "
*240453	-----	Bed
202258	16662	" Hinge Connection (2)
200570E	16662	" " " Screw (4)
54897	16665	" Oil Cup
240254	16671	" Slide (front)
203470	16663	Bobbin
*233764	-----	" Case
203648	16663	" " Latch
*202056	-----	" " " Pin
203473	16663	" " " Plunger
203474	16663	" " " Spring
241674	16663	" " Oiling Felt
241675	16663	" " " " Retainer
350405C	16663	" " " " " Screw

No.	Plate	Name
224004	16664	Bobbin Case Opener
224005	16664	" " " Lever with 201349C, 201542C and 203101
201349C	16664	Bobbin Case Opener Lever Driving Screw Stud
201542C	16664	Bobbin Case Opener Lever Driving Screw Stud Nut
203101	16664	Bobbin Case Opener Lever Driving Screw Stud Oil Packing (wick)
265088	16664	Bobbin Case Opener Lever Hinge Stud with 202277
202277	16664	Bobbin Case Opener Lever Hinge Stud Oil Packing (wick)
200364C	16664	Bobbin Case Opener Lever Hinge Stud Set Screw
223623	16664	Bobbin Case Opener Lever Link
200118D	16664	" " " Screw
203214	16663	" " Tension Spring
200984C	16663	" " " " Regulating Screw
200594C	16663	" " " " Screw
203216	16663	" " Washer (cloth)
233765	16663	Bobbin Case complete, Nos. 200594C, 200984C, 20056, 203214, 203216, 203473, 203474, 203648, 233764, 241674, 241675 and two 350405C
240104	16671	Face Plate
202135	16671	" " Position Pin
200473B	16671	" " Thumb Screw
240454	16666	Feed Bar with 200336E and 201535E
240455	16666	" " 240454 with 200040C, 224052 and 225837
350393C	16666	Feed Bar Hinge Screw (driving)
201518E	16666	" " " " Nut
240456	16672	" Dog, 46 needle hole, for needle sizes 16 and 18, for 240480
240457	16672	Feed Dog, 46 needle hole, for needle sizes 16 and 18, for 240482, 240484, 240487, 240489 and 240495
200106E	16672	Feed Dog Screw (2)
200336E	16666	" " Support Screw
201535E	16666	" " " " Nut
237565	16662	" Driving Connection with 200049D and 202330
201171C	16662	Feed Driving Connection Hinge Screw
201517E	16662	" " " " " Nut
202277	16662	" " " " " Oil Packing (wick)
202330	16662	Feed Driving Connection Oil Packing (wick)
200049D	16662	" " " Pinch Screw

From the library of: Diamond Needle Corp

No.	Plate	Name
*237195	-----	Feed Driving Eccentric
*237749	-----	" " " Body
350107C	16661	" " " " Position Screw
443C	16661	" " " " Set Screw
1103C	16661	" " " " Regulating Screw
217D	16661	" " " " Set Screw
7071	16661	" " " " " Washer
237196	16661	Feed Driving Eccentric complete, Nos. 217D, 443C, 1103C, 7071, 237195, 237749 and 350107C
223650	16666	Feed Driving Rock Shaft
240458	16666	" " " " 223650 with 201518E 240455 and 350333C
223652	16666	Feed Driving Rock Shaft Crank with 200019E
200019E	16666	" " " " " Pinch Screw
202625	16666	" " " " " Stop Collar with two 200383C (2)
200383C	16666	Feed Driving Rock Shaft Stop Collar Set Screw
224154	16665	Feed Lifting Eccentric with 201220C
224052	16666	" " " " Fork with 200173D and 223655
200040C	16666	Feed Lifting Eccentric Fork Screw
225837	16666	" " " " " Washer
223655	16666	" " " " Oiling Felt
200173D	16666	" " " " " Screw
201220C	16665	" " " " Set Screw
*224016	-----	Hook (sewing)
224017	16663	" 224016 with 203525, 224025, two each 200590H and 201253F
240357	16663	Hook and Bobbin Case complete, Nos. 224017 and 223765
224019	16664	Hook Bushing (lower) (bronze)
200364C	16664	" " " " Set Screw
224020	16664	" " (upper) (bronze)
200446C	16664	" " " " Position Screw
223867	16665	" Driving Gear (spiral) with 200362C and 201222C
201222C	16665	Hook Driving Gear Position Screw
200362C	16665	" " " " Set Screw
224021	16664	" " Pinion (spiral) with two 200382C
200382C	16664	Hook Driving Pinion Set Screw
224022	16664	" " " " Thrust Washer
240459	16665	" " Shaft
224111	16665	" " " Bushing (back) with 202244
200327C	16665	Hook Driving Shaft Bushing (back) Set Screw

No.	Plate	Name
202244	16665	Hook Driving Shaft Bushing Oil Packing (wick)
223681	16665	Hook Driving Shaft Bushing (center)
200335C	16665	" " " " " Set Screw
265314	16665	Hook Driving Shaft Lock Ratchet with 200354C and 200362C
200354C	16665	Hook Driving Shaft Lock Ratchet Position Screw
200362C	16665	Hook Driving Shaft Lock Ratchet Set Screw
240213	16665	" " " " " Stud
248423	16665	" " " " " Cotter Pin
240214	16665	" " " " " Socket
248425	16665	" " " " " Spring
240215	16665	Hook Driving Shaft Lock Stud complete, Nos. 240213, 240214, 248423 and 248425
203525	16663	Hook Gib
201253F	16663	" " Screw
248151	16664	" Saddle with 200009E, 200446C, 244019, 224020 and two 200364C
223680	16665	Hook Saddle Bearing
200327C	16665	" " " " Set Screw
223682	16665	" " Oil Guard
223814	16665	" " " " Felt
200096D	16665	" " " " Screw (2)
200009E	16664	" " Pinch Screw
200006E	16664	" " Screw
225585	16664	" " " Washer
240315	16664	Hook Saddle complete, Nos. 200118D, 223623, 224004, 224005, 224021, 224022, 248357, 248151 and 265088
224025	16663	Hook Washer
200590H	16663	" " Screw
208490	16671	Knee Lifter Connection Lever
200362H	16671	" " " " Hinge Screw
223684	16671	" " " " Lifting Rod with 202302
202302	16671	Knee Lifter Connection Lever Lifting Rod Cotter Pin
206628	16671	Knee Lifter Connection Lever Lifting Rod Spring
227227	16671	Knee Lifter Connection Lever Lifting Rod Spring Collar with 200113F
200113F	16671	Knee Lifter Connection Lever Lifting Rod Spring Collar Set Screw
240124	16671	Knee Lifter Lifting Lever
200262H	16671	" " " " Hinge Screw
240460	16667	Knife

No.	Plate	Name
240461	16667	Knife Arm with 201034F, 201525E, 350036C and two 200126F
248202	16667	Knife Arm Base Plate with two each 200410C and 201617C
240462	16667	Knife Arm Base Plate 248202 with 240461
207011	16667	" " " " Position Plate
200574E	16667	" " " " " " Screw
		(2)
200540E	16667	Knife Arm Base Plate Screw
240423	16667	" " " Guard
200410C	16667	" " " Screw Center
201617C	16667	" " " " Nut
249249	16667	" " " Spring
240463	16667	" " " Plunger
201034F	16667	" " " Stop Screw
201525E	16667	" " " " Nut
240464	16667	" Driving Bar
240466	16667	" " " Slide Block
240467	16667	" " " " Plate with 200397H
200577XC	16667	" " " " " Screw (3)
240465	16667	Knife Driving Bar complete, Nos. 240464, 240468 to 240471, two each 200140H, 200577XC and 350444C
240468	16667	Knife Driving Link (lower)
240469	16667	" " " (upper)
350444C	16667	" " " Hinge Screw
240470	16667	" " " Latch Spring
200140H	16667	" " " " " Screw
350036C	16667	" " " " Screw Stud
200126F	16667	" Screw
240471	16667	" Throw-out Handle
200577XC	16667	" " " " Screw
208545	16669	Lifting Bell Crank
200996C	16669	" " " Cap Screw
240125	16640	" " " Link
350172C	16640	" " " " Screw Stud
201524E	16640	" " " " " Nut
240203	16640	" Eccentric with 200382C and 200398C
240126	16640	" " Connection
240171	16640	" " " Crank with 200029E and 248821
248821	16640	Lifting Eccentric Connection Crank Oil Packing (wick)
200029E	16640	Lifting Eccentric Connection Crank Pinch Screw
200398C	16640	Lifting Eccentric Position Screw
200382C	16640	" " Set Screw

No.	Plate	Name
240472	16672	Lifting Presser Foot, for 1/8 and 5/32 in. trimming margin, for 240496
240473	16672	Lifting Presser Foot, for 3/16 in. trimming margin, for 240497
240474	16672	Lifting Presser Foot, for 7/32 and 1/4 in., trimming margin, for 240497
240475	16672	Lifting Presser Foot, for 9/32 and 5/16 in. trimming margin, for 240497
240476	16672	Lifting Presser Foot, for 11/32 and 3/8 in. trimming margin, for 240497
200074F	16669	Lifting Presser Foot Screw
240136	16640	" Rock Shaft with 201524E and 350172C
240174	16640	" " " Bushing
240498	16670	Needle Bar with 200175D, 201350F and 240499
238251	16670	" " Connecting Link
264718	16670	" " " " Oil Guard
200161D	16670	" " " " " Screw
240327	16670	" " " " Stud with 202254
202254	16670	" " " " " Oil Packing (wick)
200334C	16670	Needle Bar Connecting Link Stud Set Screw
200335C	16670	" " " " " " " "
208543	16670	" " " " Stud with 200086C and 202330
202330	16670	Needle Bar Connecting Stud Oil Packing (wick)
200086C	16670	Needle Bar Connecting Stud Pinch Screw
240477	16670	" " Crank with 200335C, 200374C, 200383C, 200428C and 240327
203172	16670	Needle Bar Crank Friction Washer
200428C	16670	" " " Position Screw
200335C	16670	" " " Set Screw
240478	16670	" " Rock Frame
210910	16670	" " " " Hinge Stud with 202277
202277	16670	" " " " " Oil Packing (wick)
200347C	16670	Needle Bar Rock Frame Hinge Stud Set Screw
202666	16670	Needle Bar Rock Frame Position Bracket
200099F	16670	" " " " " " " " Screw
222690	16640	Needle Bar Rock Frame Rock Shaft
222691	16640	" " " " " " " " 222690 with 200387C and 210920
222692	16640	Needle Bar Rock Frame Rock Shaft Crank with 200029E
222693	16662	Needle Bar Rock Frame Rock Shaft Crank Connection with 202277

No.	Plate	Name
200933C	16662	Needle Bar Rock Frame Rock Shaft Crank Connection Hinge Screw
201522E	16662	Needle Bar Rock Frame Rock Shaft Crank Connection Hinge Screw Nut
202277	16662	Needle Bar Rock Frame Rock Shaft Crank Connection Oil Packing (wick)
200029E	16640	Needle Bar Rock Frame Rock Shaft Crank Pinch Screw
202668	16640	Needle Bar Rock Frame Slide Block
210920	16640	" " " " " " 200068 with 201141C
201141C	16640	Needle Bar Rock Frame Slide Block Screw Stud
200387C	16640	Needle Bar Rock Frame Slide Block Screw Stud Set Screw
240499	16670	Needle Bar Thread Guide
200175D	16670	" " " " " Screw
201350F	16670	" Set Screw
208566	16669	Presser Bar with 200074F
241352	16669	" " Bushing (lower)
207072	16669	" " " (upper)
200352C	16669	" " " Set Screw (2)
264525	16669	" " Lifter
200653C	16669	" " " Hinge Screw
264526	16669	" " Lifting Bracket with 200064E
200975F	16669	" " " Guide Screw
200054E	16669	" " " Pinch Screw
202237	16669	" " Position Guide
202338	16669	" " " " Lever with 200086F
200086F	16669	Presser Bar Position Guide Lever Pinch Screw
200352C	16669	Presser Bar Position Guide Set Screw
237836	16671	" " Spring (flat)
210949	16669	" " " Bracket with 200086C
200086C	16669	" " " " Pinch Screw
201410F	16671	" " " Regulating Screw
200948F	16671	" " " Support Screw
265032	16665	Safety Clutch Hook Driving Shaft Position Collar with two 201254C
201254C	16665	Safety Clutch Hook Driving Shaft Position Collar Set Screw
265101	16665	Safety Clutch Locking Lever
265050	16665	" " " " Connecting Link
350433C	16665	Safety Clutch Locking Lever Hinge Screw
265102	16665	" " " " Spring
350436C	16665	" " " " " Screw

No.	Plate	Name
265103	16665	Safety Clutch Pulley with 202253
202253	16665	" " " Spring Flange
265057	16665	" " " Throw-in Latch
265052	16665	" " " " Pin
265051	16665	" " " " Spring
265104	16665	Safety Clutch complete, Nos. 265032, 265050 to 265052, 265057, 265101, to 265103, 350433C and 350436C
241518	16670	Take-up Lever
202399	16670	" " Driving Stud with 202277
202277	16670	" " " " Oil Packing (wick)
202400	16670	" " Hinge Stud with 202423
202423	16670	" " " " Oil Packing (wick)
200387C	16670	" " " " Set Screw
240023	16668	Tension Bracket with 201224B and 236060
200159F	16668	" " " Screw
240446	16668	Tension Bracket complete, Nos. 200979H, 201199F, 204271, 22343B, 223703, 223704, 223706, 237174, 240023, two each 200309E 201572B and 244048
244048	16668	Tension Disc
236060	16668	" " Position Pin
223703	16668	" Release Lever
235576	16669	" " " Rod
200309E	16668	" " " Screw
223704	16668	" " Plunger
264527	16669	" " Slide
240142	16669	" " " Spring
204271	16668	" " Washer
223438	16668	" Spring
201224B	16668	" Stud
201572B	16668	" Thumb Nut
223706	16668	Thread Controller Disc
200978H	16668	" " " " Screw
237174	16668	" " " Spring
241360	16668	" " " Stop
200133E	16668	" " " " Screw
201199F	16668	" " " Stud with 204925
200032E	16668	" " " Set Screw
201572B	16668	" " " Thumb Nut
204925	16668	" " " Washer
207412	16661	" Guide
224040	16668	" " "
210954	16668	" " (lower)
210955	16668	" " (upper)
200582H	16668	" " Screw (4)
240034	16668	" Retainer
200397H	16667	" " Set Screw



No.	Plate	Name
240277	16672	Throat Plate Block
200586H	16672	" " " Screw
240401	16672	" " Body
240384	16672	" " Knife Cutting Bar, trims 1/8 inch
240481	16672	Throat Plate Knife Cutting Bar, trims 5/32 inch
240483	16672	Throat Plate Knife Cutting Bar, trims 3/16 inch
240421	16672	Throat Plate Knife Cutting Bar, trims 1/4 inch
240488	16672	Throat Plate Knife Cutting Bar, trims 9/32 inch
240494	16672	Throat Plate Knife Cutting Bar, trims 3/8 inch
200583H	16672	Throat Plate Knife Cutting Bar Screw
240479	16672	" " Slide Bowl, for trimming margins from 1/8 to 3/8 in., in steps of 1/32 in. State margin required.
200586H	16672	Throat Plate Slide Bowl Screw
240480	16672	Throat Plate complete, trims opposite the needle and 1/8 in. to right of seam, Nos. 240277, 240384, 240401, 240479, two each 200583H and 200586H, for 240456
240482	16672	Throat Plate complete, trims opposite the needle and 5/32 in. to right of seam, Nos. 240277, 240401, 240479, 240481, two each 200583H and 200586H, for 240457
240484	16672	Throat Plate complete, trims opposite the needle and 3/16 in. to right of seam, Nos. 240277, 240401, 240479, 240483, two each 200583H and 200586H, for 240457
240487	16672	Throat Plate complete, trims opposite the needle and 1/4 in. to right of seam, Nos. 240277, 240401, 240421, 240479, two each 200583H and 200586H, for 240457
240489	16672	Throat Plate complete, trims opposite the needle and 9/32 in. to right of seam, Nos. 240277, 240401, 240479, 240488, two each 200583H and 200586H, for 240457
240495	16672	Throat Plate complete, trims opposite the needle and 3/8 in. to right of seam, Nos. 240277, 240401, 240479, 240494, two each 200583H and 200586H, for 240457
691F	16672	Throat Plate Screw (2)
240183	16669	Vibrating Presser Bar
240415	16669	" " " Connecting Link
202277	16669	" " " Oil Packing (wick)

No.	Plate	Name
240496	16672	Vibrating Presser Foot, 46 needle hole, with 201015F, for 240472
240497	16672	Vibrating Presser Foot, 46 needle hole, with 201015F, for 240473 to 240476
201015F	16672	Vibrating Presser Foot Pinch Screw

SINGER Needles should be used  
in SINGER Machines  
These Needles and their Containers  
are marked with the  
Company's Trade Mark "SIMANCO.\*\*"

Needles in Containers marked  
"FOR SINGER MACHINES"  
are NOT SINGER made needles.

## MACHINE No. III w II7

ALTERNATING PRESSERS. VERTICAL TRIMMER.  
 COMPOUND FEED. SAFETY CLUTCH. KNEE LIFTER.  
 AUTOMATIC TENSION ADJUSTER.  
 FOR TRIMMING AND STITCHING SLEEVES IN COATS.

Same as Machine No. III w II6 with the following exceptions:

No.	Plate	Name
264690	16674	Presser Bar with 200074F, in place of 200566
240527	16676	Presser Bar Spring (auxiliary)
240526	16676	" " " (flat), in place of 237836
350448F	16676	Presser Bar Spring Regulating Screw, in place of 201410F
240528	16674	Tension Adjusting Arm
240529	16674	" " " Bracket with 200027E
200027E	16674	" " " " Pinch Screw
200077D	16674	" " " Screw
240530	16675	" " Thimble
240531	16675	" Bracket with 236060 and 240535, in place of 240023
240532	16675	Tension Bracket complete, Nos. 200978H, 201199F, 201572B, 223706, 237174, 240540, 240531, 240533, 240534 and two 244048, in place of 240446
235576	16669	Tension Release Lever Rod, not used
264527	16669	" " Slide, not used
240142	16669	" " Spring, not used
240533	16675	" Spring, in place of 223438
240534	16675	" Washer
240535	16675	" Stud, in place of 201224B

## ACCESSORIES

No.	Plate	Name
203470	16663	Bobbin (5)
225497	17620	" Case Screw Driver
126 x 11	16670	Needles, six, size 22
240460	16667	Knife (3)
224121	16644	Drip Pan
41400	17620	Machine Rest Pin (wood)
120342	17620	Oiler (copper plated) with 120343
120343	17620	" Spout (3-1/2 in. long)
225498	17620	Screw Driver (7-1/4 in. long)
225554	17620	Wrench (steel)

## BOBBIN WINDER

(SWINGING AUTOMATIC, RIGHT HAND)

259428	16615	Brake (leather)
259429	16615	" Clamp
200113F	16615	" " Screw
225453	16615	Frame with 202277 and 225458
225454	16615	" Hinge Pin
202277	16615	" Oil Packing (wick)
225438	16615	" " Well Cap
225455	16615	" Spring
225456	16615	" " Plunger
225368	16615	Pulley with 200300C
200300C	16615	" Set Screw
225361	16615	Spindle
225444	16615	Stop Latch
200056E	16615	" " Screw
225458	16615	" " Thumb Lever
225459	16615	" " " " Hinge Stud
225459	16615	" " " " Joint Stud
202478	16615	" " Trip Lever
200299H	16615	" " " " Hinge Screw
225461	16615	Tension Bracket with 201499B
200082D	16615	" " Screw
228026	16615	" " Washer
2102	16615	" Disc
12710	16615	" Spring
201499B	16615	" Stud
201572B	16615	" " Thumb Nut

## ACCESSORIES

No.	Plate	Name
225462	16615	Bobbin Winder Tension Bracket complete, Nos.13710,201572B,225461 and two 2102
259430	16615	Bobbin Winder and Tension Bracket Base
259431	16615	Universal Bobbin Winder complete, Nos. 200056E,200082D,200113F,200299H,200478, 225368,225381,225444,225453 to 225456, 225458,225462,228026,259428 to 259430, two each 225459 and wood screws 3/4 in., No.12,R.H.B.

## KNEE LIFTER

228359	16643	Rock Lever with two 350231C
228360	16643	" " Bracket with 200347C and three wood screws 7/8 in.,No.12
228361	16643	Rock Lever Bracket 228360 with 228359, 228363,228367 and 228386
228362	16643	Rock Lever Extension with 200529C
350231C	16643	" " " " Set Screw
228363	16643	" " Hinge Pin
228364	16643	" " Knee Plate with 350231C
228388	16643	" " " " Arm
350231C	16643	" " " " " Set Screw
350231C	16643	" " " " " Set Screw
228365	16643	" " Rod
200529C	16643	" " " Set Screw
228386	16643	" " Spring
228367	16643	" " Stop Stud
200347C	16643	" " " " Set Screw
228368	16643	Knee Lifter complete, Nos.228361,228362, 228364,228365 and 228388

(Other Knee Lifter parts are listed with parts of machine head.)

## GRINDER

No.	Plate	Name
206977	16673	Emery Wheel, 2 in. diameter
206962	16673	" " Driving Shaft
201510D	16673	" " " " Nut
204101	16673	" " " " Washer
206963	16673	" " " " Pulley with two 200403C
200403C	16673	Emery Wheel Driving Shaft Pulley Set Screw
259285	16673	" " Guard
200054E	16673	" " " Screw
206969	16673	" " Washer (paper)
206964	16673	Frame with two 54897
54897	16673	" Oil Cup
201070D	16673	Knife Thumb Screw
259487	16673	Slide Bracket with 200394C,200457D,202064 and two 210983
200457D	16673	Slide Bracket Adjusting Screw
244073	16673	" " " " Slide Plate
200161H	16673	" " " " " " " " Screw
200394C	16673	Slide Bracket Set Screw
206967	16673	" " Shaft
202510	16673	" " " Collar with 200141F
200141F	16673	" " " " Set Screw
259287	16673	Throat Plate Knife Cutting Bar Clamp
202064	16673	" " " " " " Fin
219280	16673	" " " " " " Spring
201070D	16673	" " " " " " Thumb Screw
210983	16673	Throat Plate Knife Cutting Bar Fin
259488	16673	Grinder complete, Nos.200161H,201510D, 204101,206962 to 206964,206967,206977, 244073,259285,259287,259289,259487, two each 200054E,201070D,202510 and 206969

From the library of: Diamond Needs Corp

## FOOT LIFTER

Parts Required for Changing from  
Knee Lifter to Foot Lifter

No.	Plate	Name
223733	16671	Lifting Lever Extension
200082D	16671	" " " Screw (2)
227561	16671	" " Spring

## FOOT LIFTER

227952	17620	Foot Lifter Lever with 227954
227678	17620	" " " Chain, 48 in. long, with 202784
227954	17620	Foot Lifter Lever Chain Hook (lower)
202784	17620	" " " " " (upper)
225016	17620	" " " Hinge Pin
227953	17620	" " " Stand with two wood screws 1 in., No. 12
227955	17620	Foot Lifter Lever complete, Nos. 225016, 227678, 227952 and 227953

## THREAD UNWINDER

225257	17900	Spool Rest (for two spools) (flat) with 201018C
150203	17900	Spool Rest Cushion (felt)
225388	17900	" " Rod
200383C	17900	" " " Set Screw
201018C	17900	" " Set Screw
202490	17900	" Stand with 200383C
225391	17900	Thread Guide
201696J	17900	" " Lock Nut
225326	17900	" " Position Cup
225324	17900	" " Rod with 208E and 225322
208E	17900	" " " Screw
225322	17900	" " " Washer
225258	17900	Thread Unwinder (for two spools) complete. Nos. 201696J, 202490, 225257, 225324, 225326, 225388 two each 150203, 225391 and three wood screws 7/8 in., No. 12

## MISCELLANEOUS PARTS

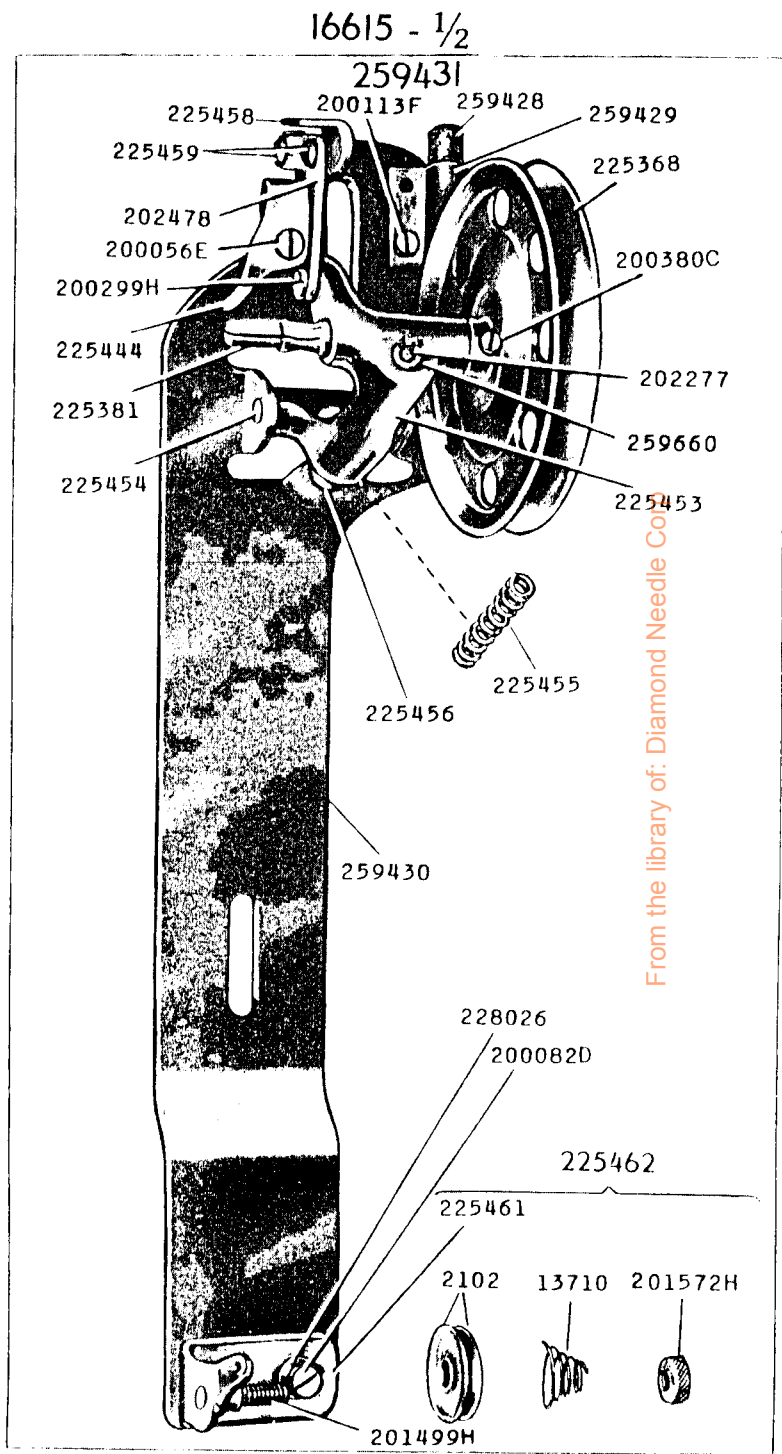
No.	Plate	Name
60913	17900	Spool Weight with 60914
60914	17900	" " " Center Pin
225377	17900	" Wire, for small spools
22739	17900	Thread Cone (wood)
225390	17900	" " " Holder

SINGER Needles should be used  
in SINGER Machines  
These Needles and their Containers  
are marked with the  
Company's Trade Mark "SIMANCO.\*\*\*"

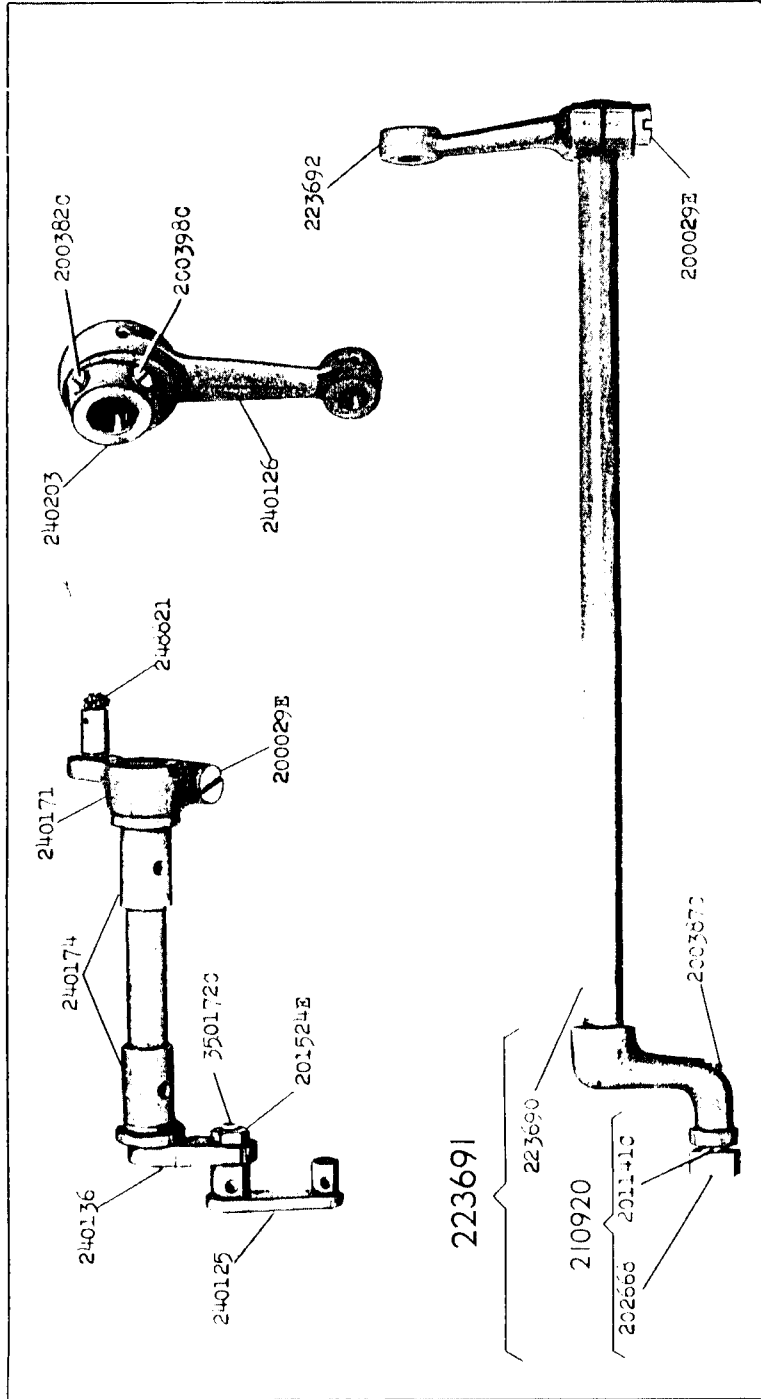
Needles in Containers marked  
"FOR SINGER MACHINES"  
are NOT SINGER made needles. 2

SINGER Needles should be used  
 in SINGER Machines  
 These Needles and their Containers  
 are marked with the  
 Company's Trade Mark "SIMANCO.\*\*" 1

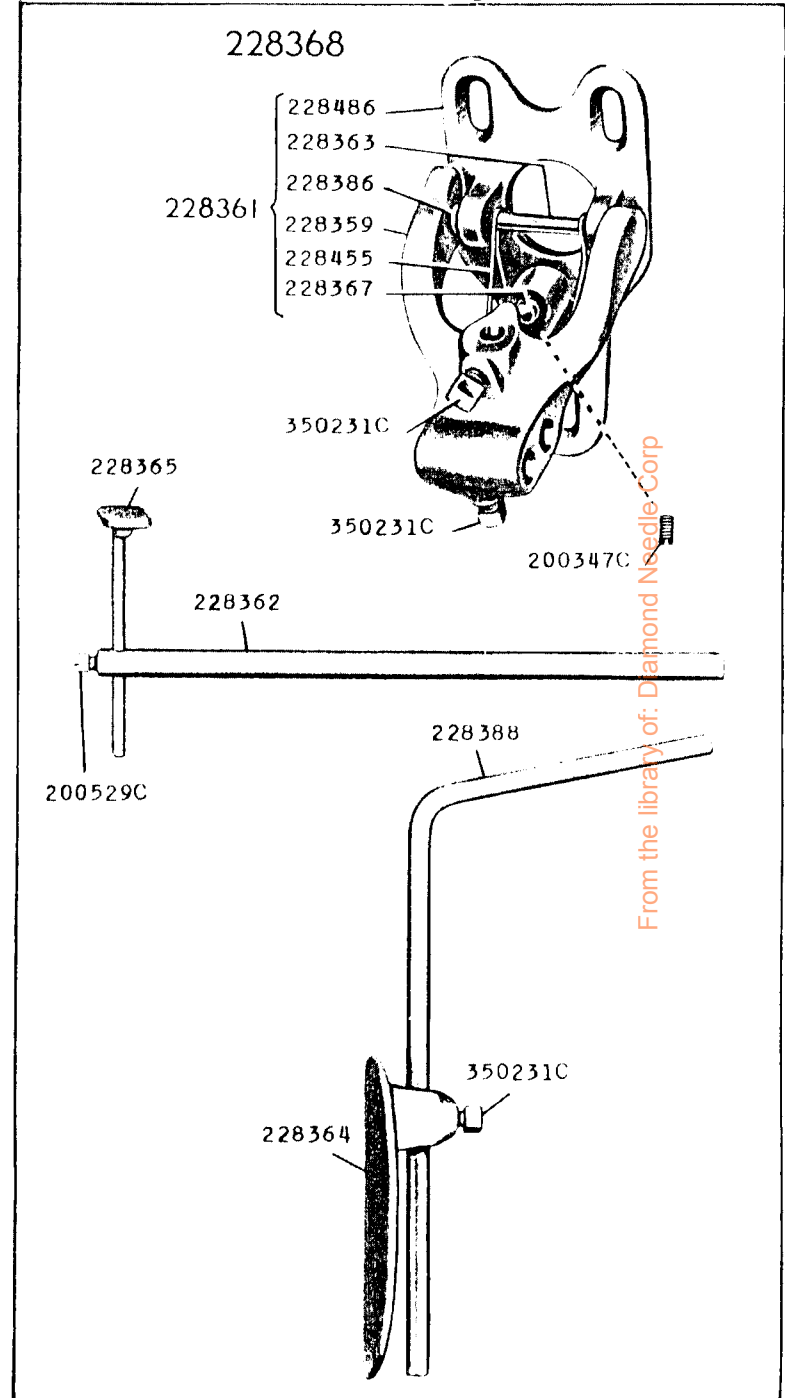
Needles in Containers marked  
 "FOR SINGER MACHINES"  
 are NOT SINGER made needles. 2



16640 - 1/2

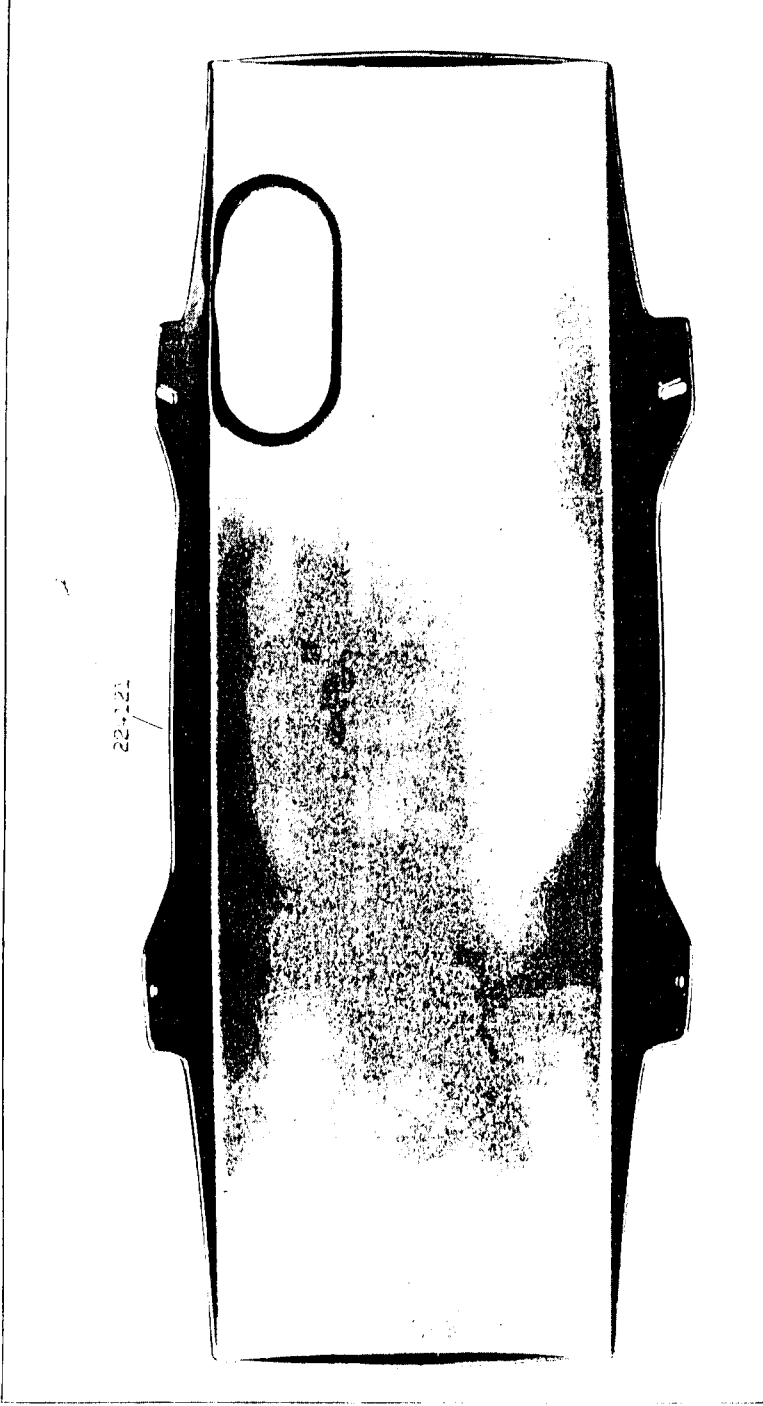


16643 - 3/8

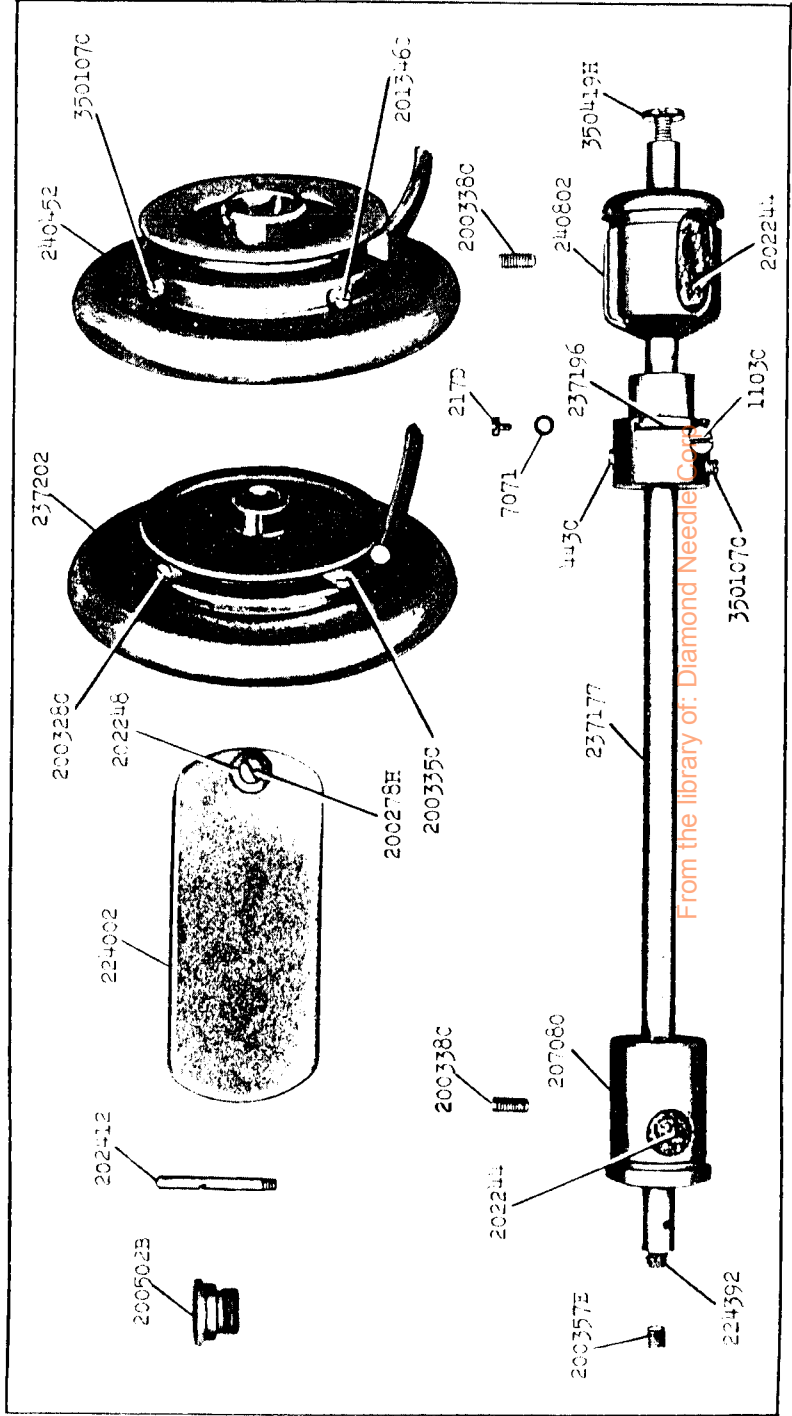


From the library of: Diamond Needle Corp

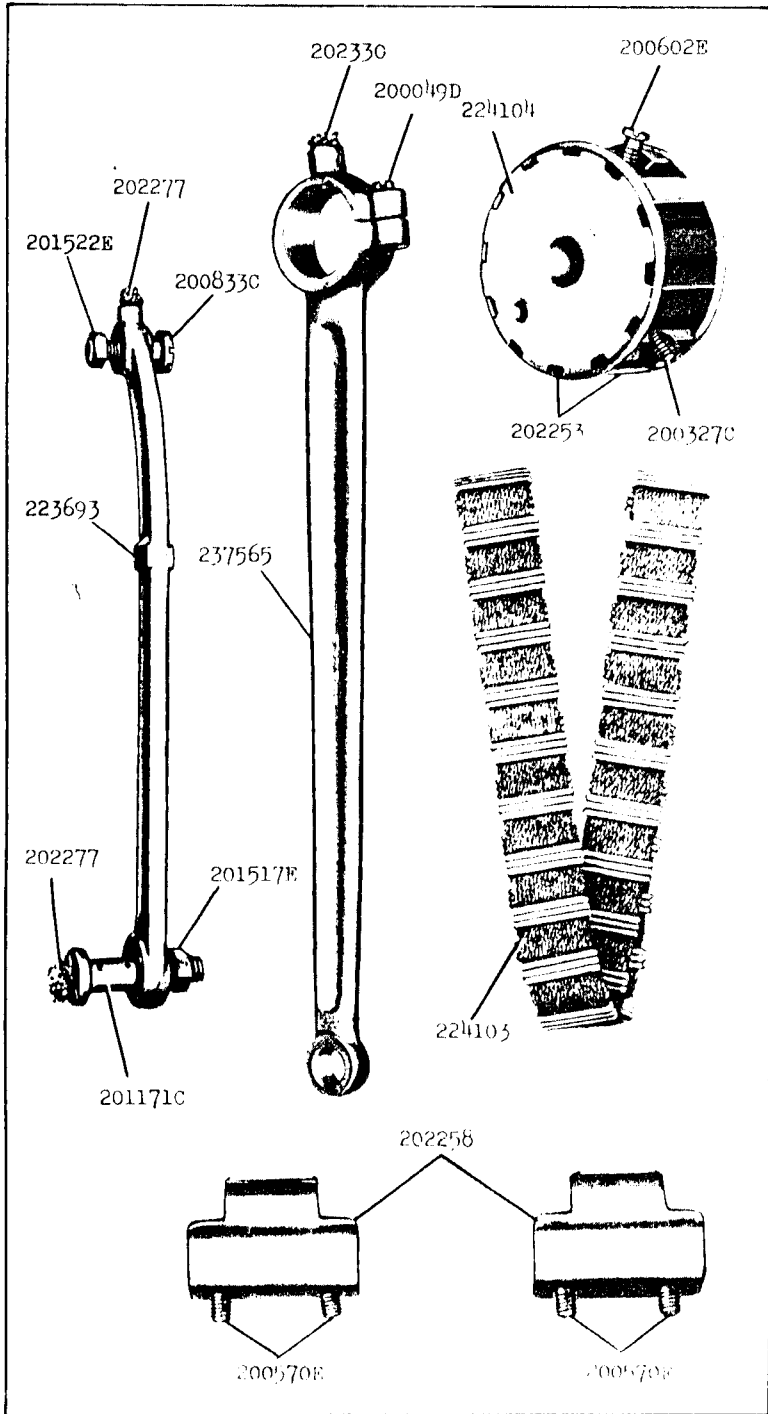
16644 - 1/3



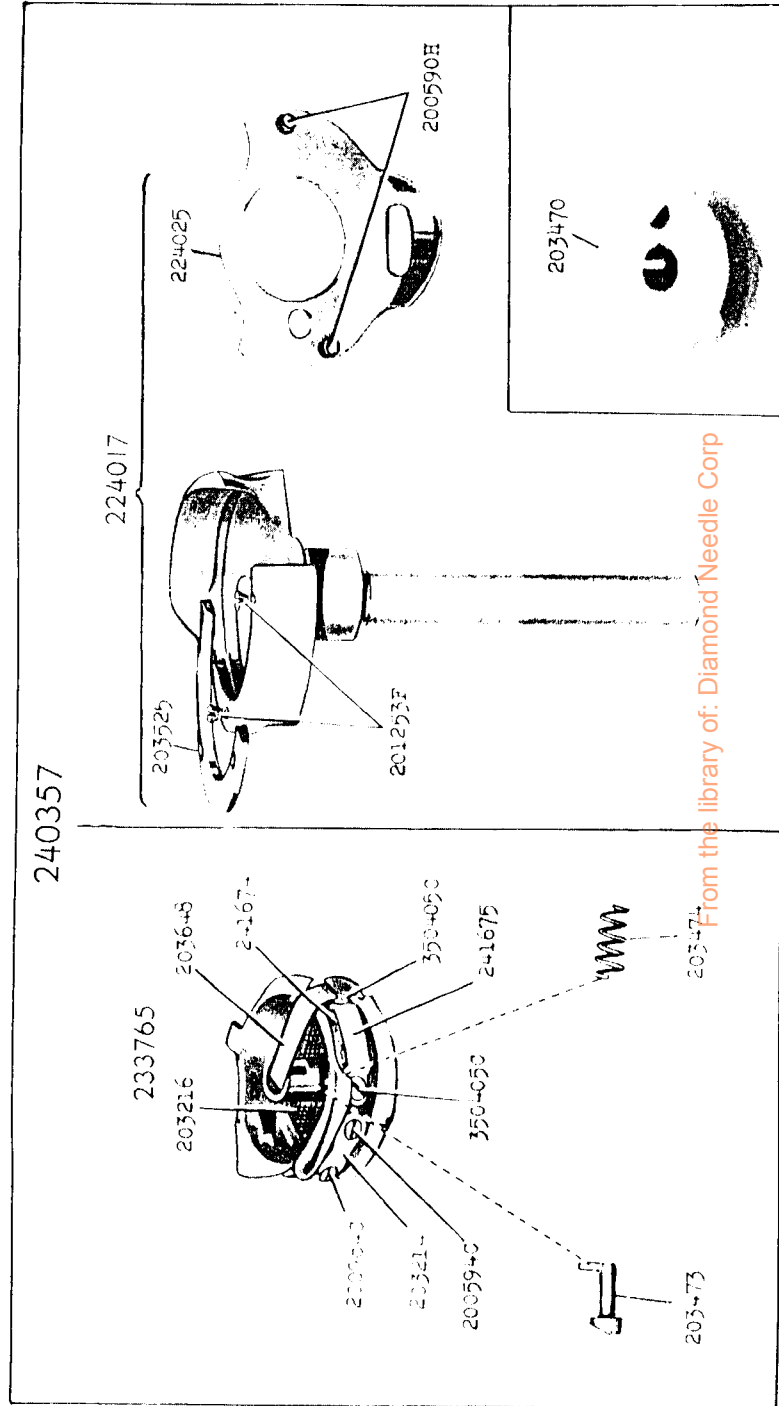
16661 - 3/8



16662 - 1/2



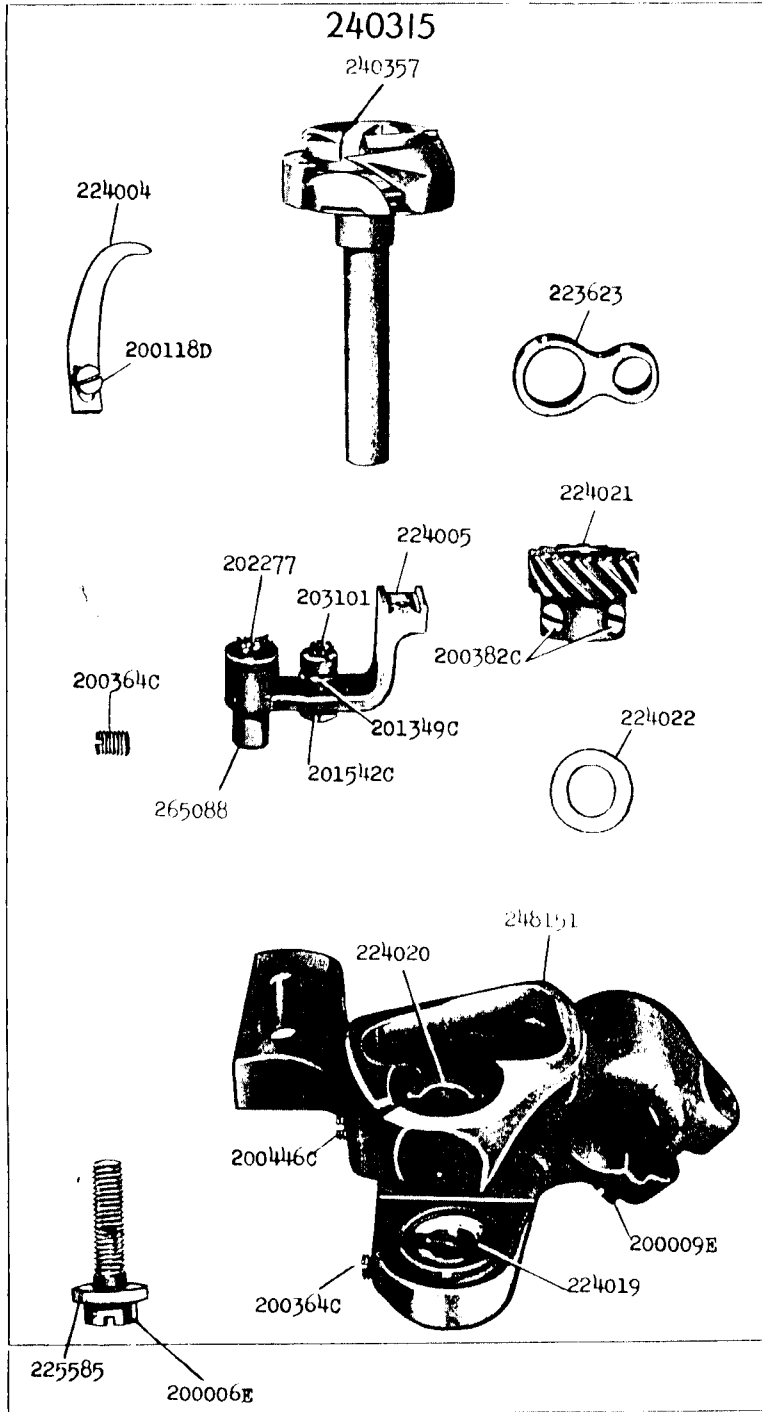
16663



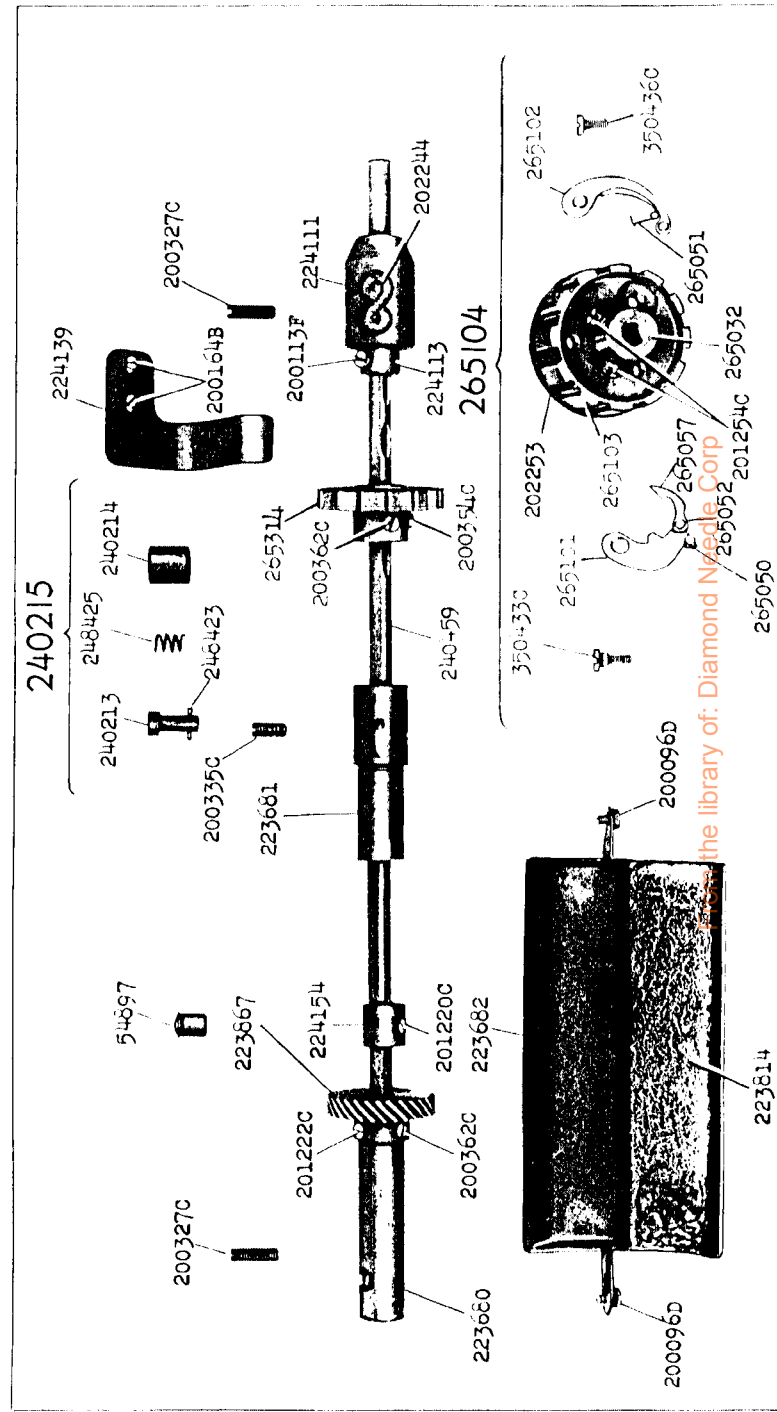
From the library of: Diamond Needle Corp



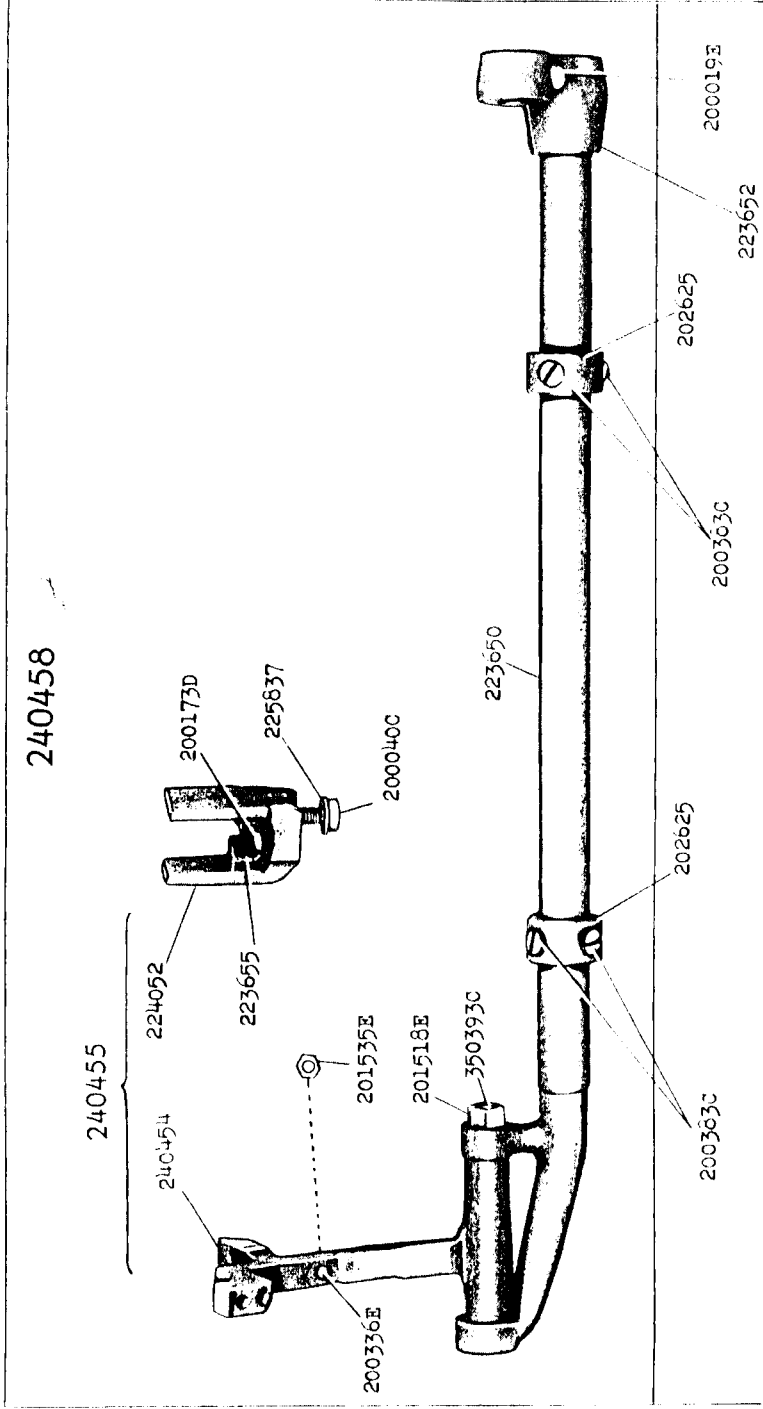
16664 - 5/8



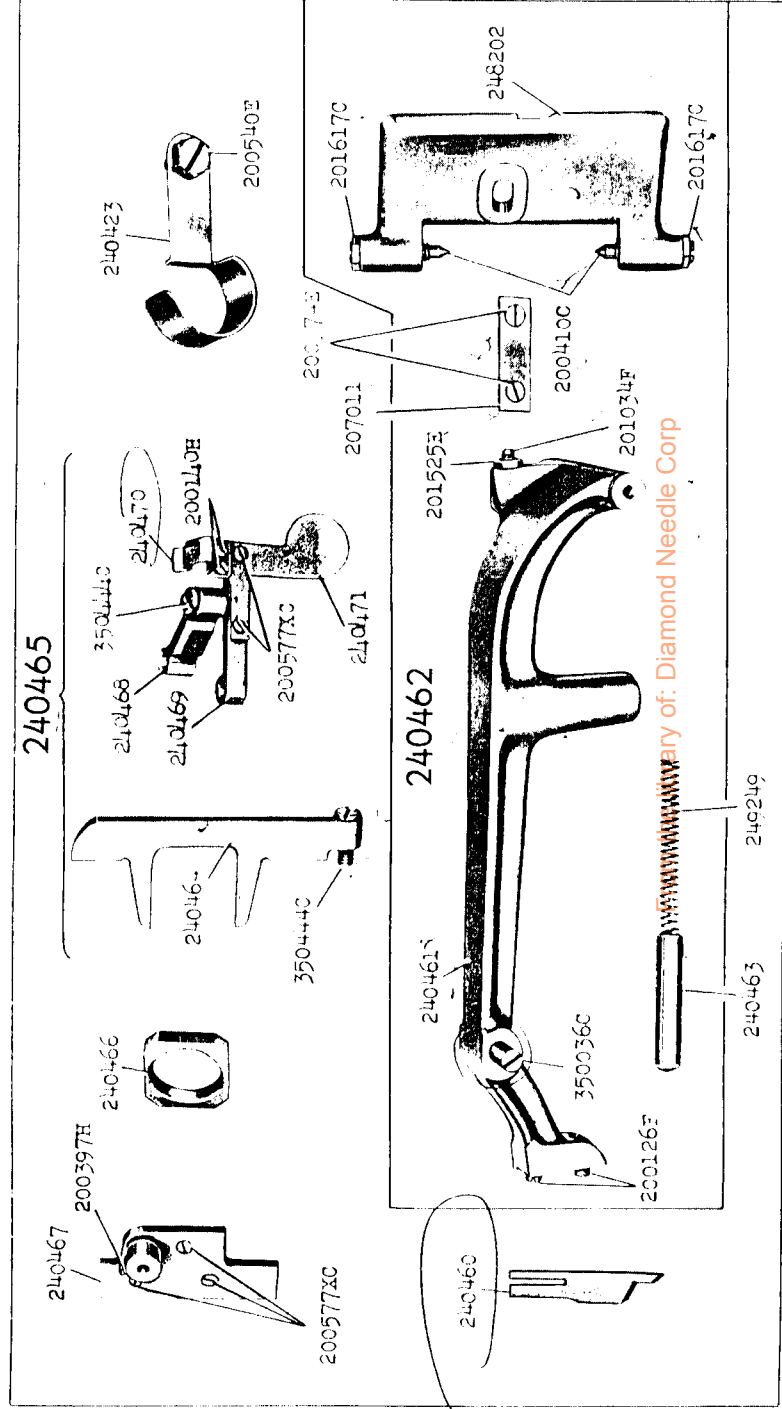
16665 - 3/8



16666 - 1/2



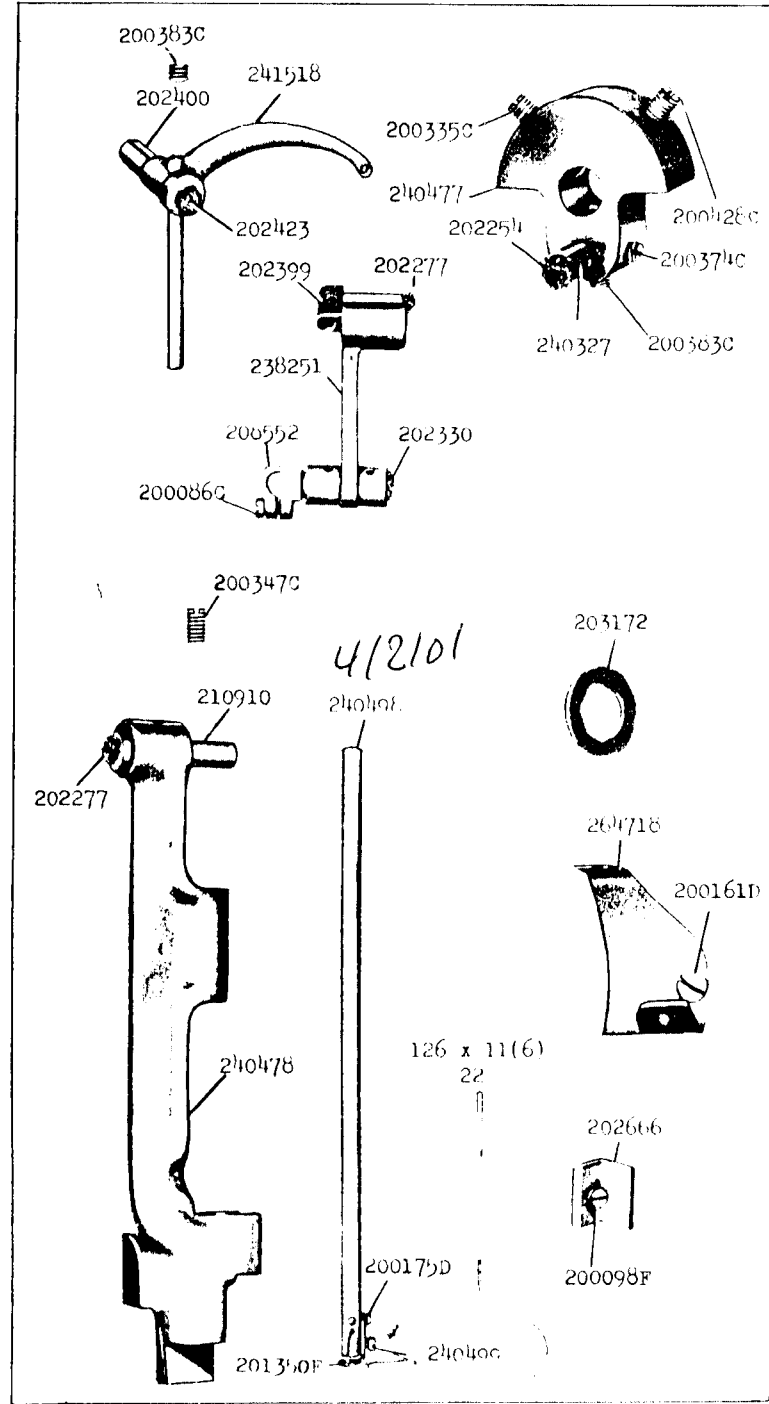
16667 - 3/8



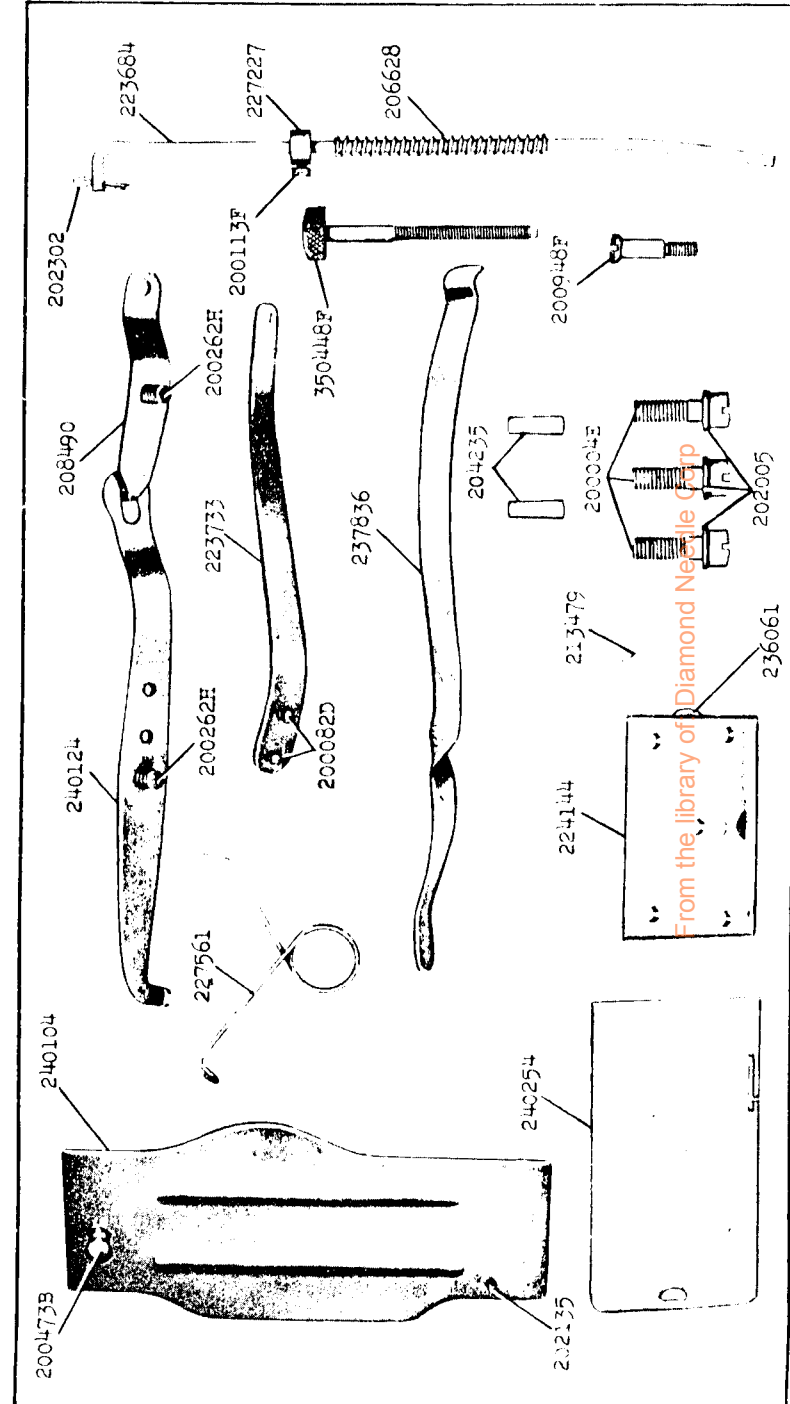
Property of: Diamond Needle Corp



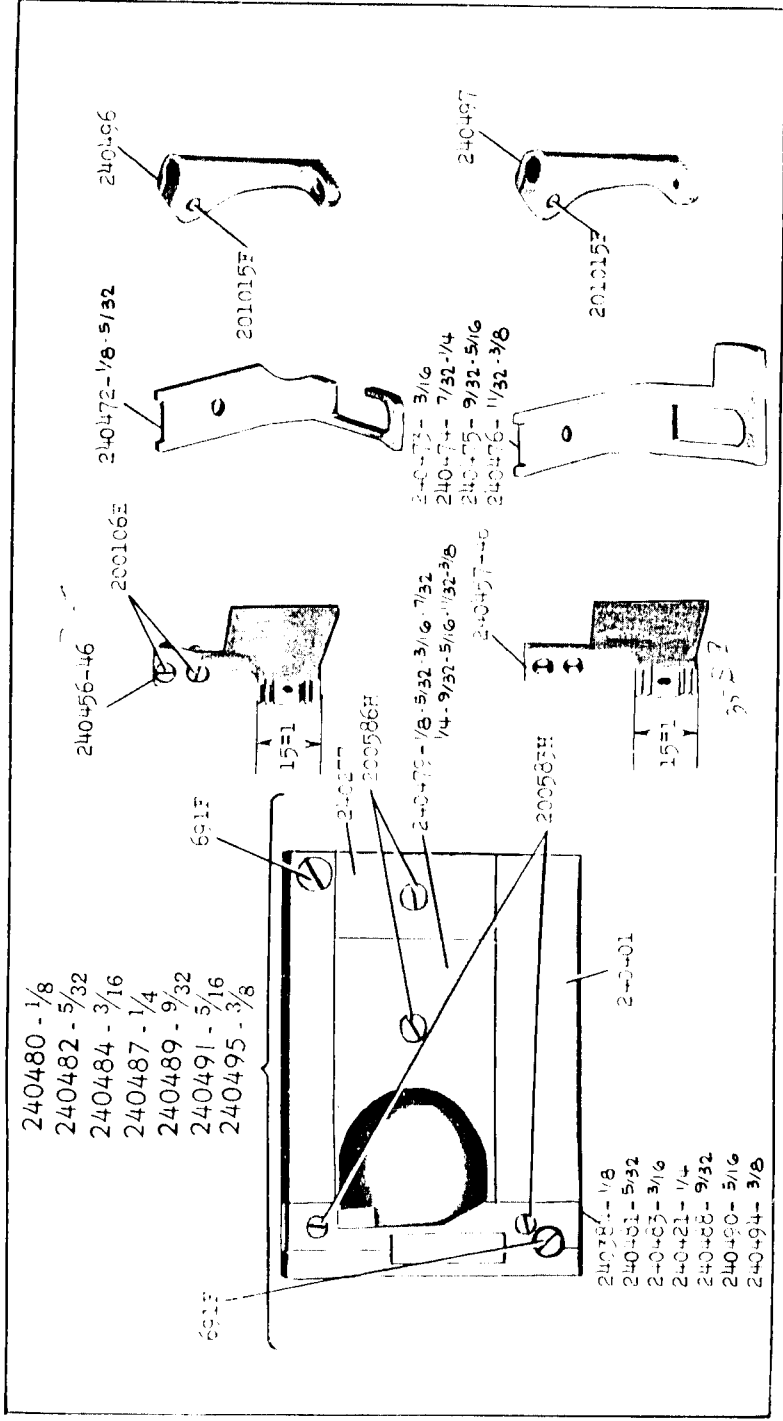
16670 - 1/2



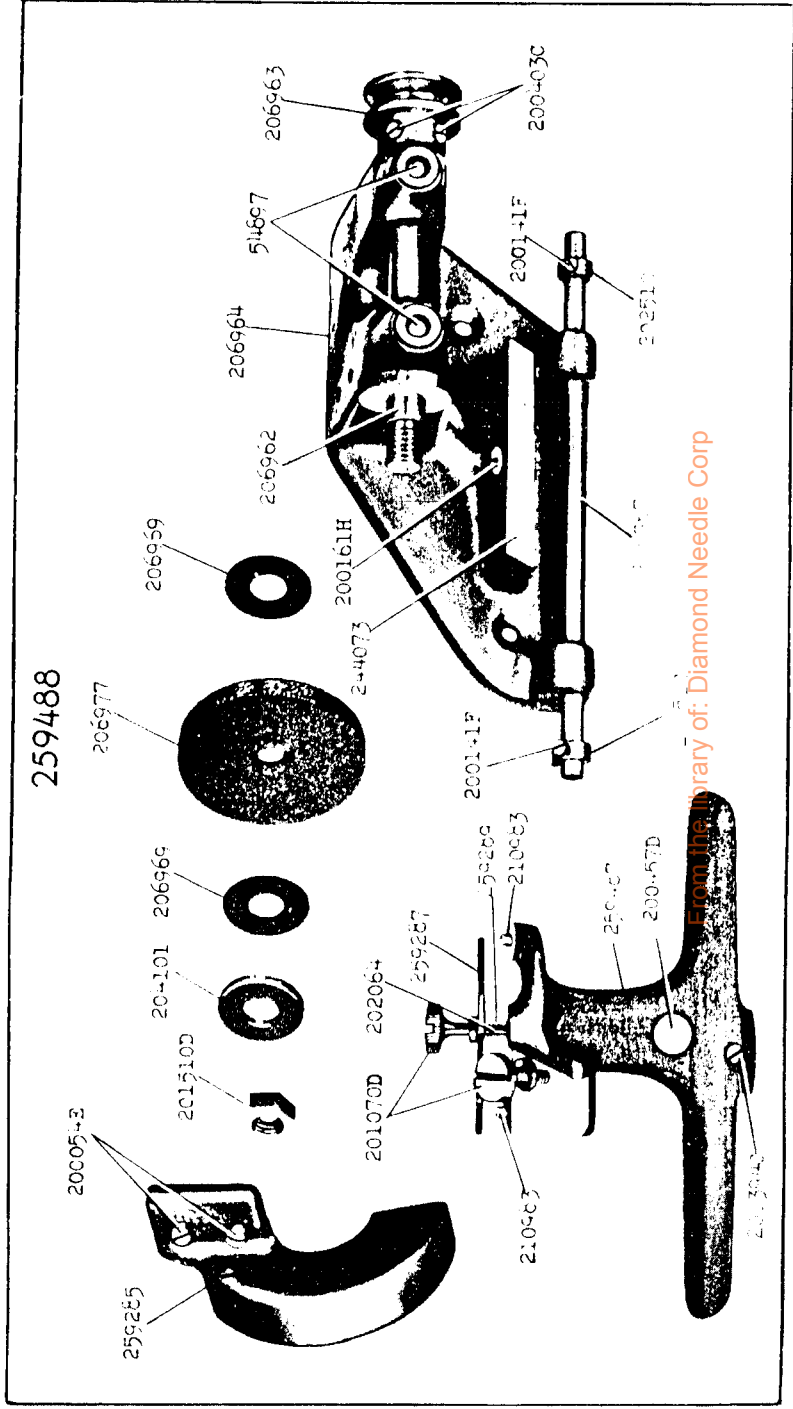
16671 - 3/8



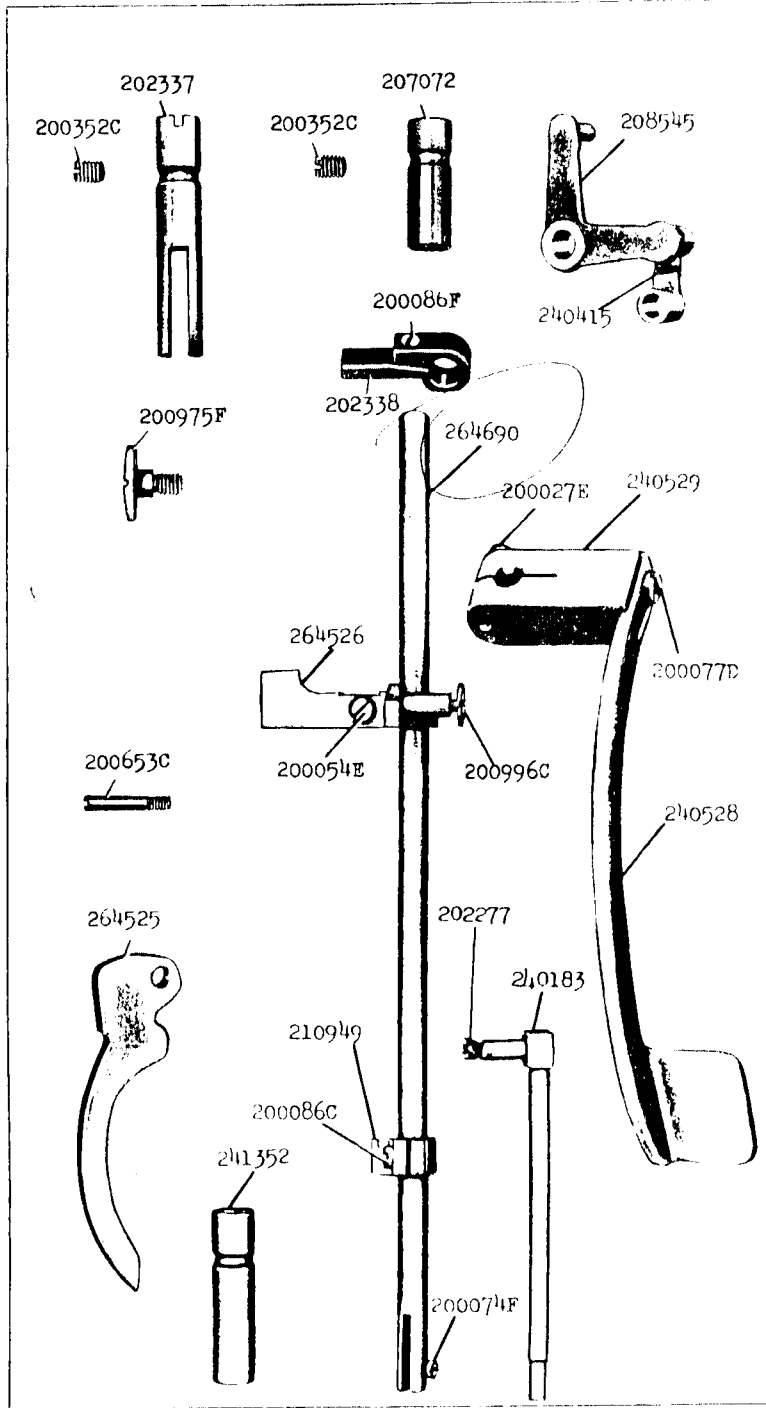
16672 - 5/8



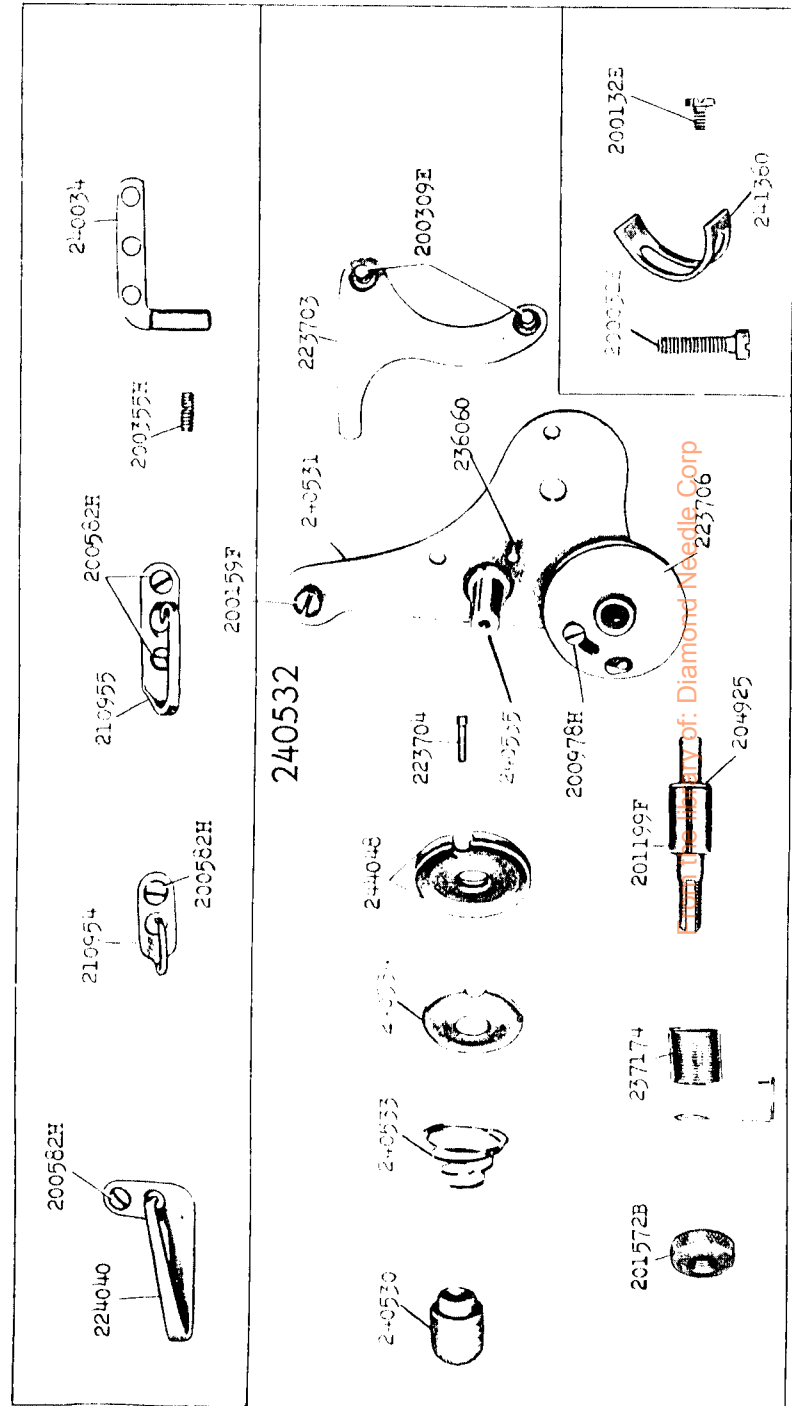
16673 - 1/2



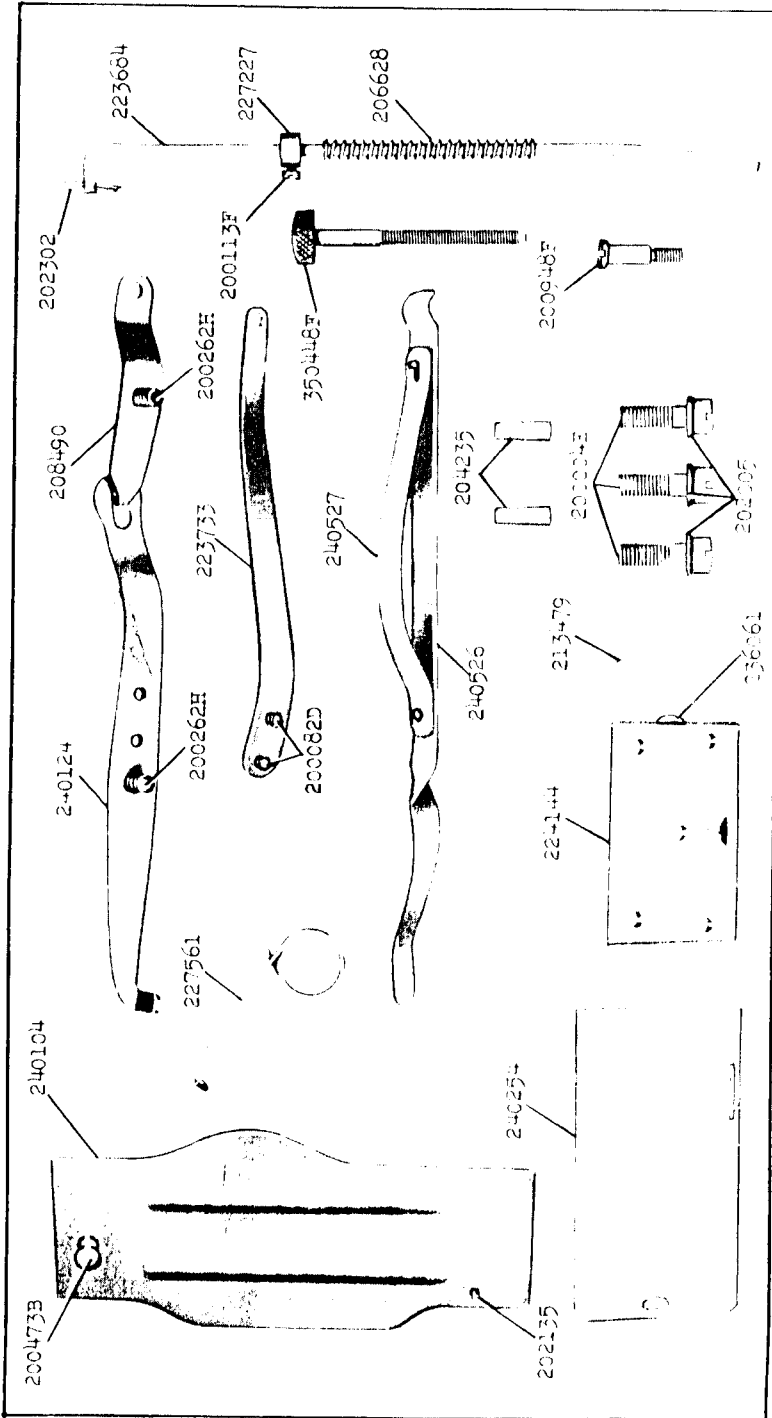
16674 - 1/2



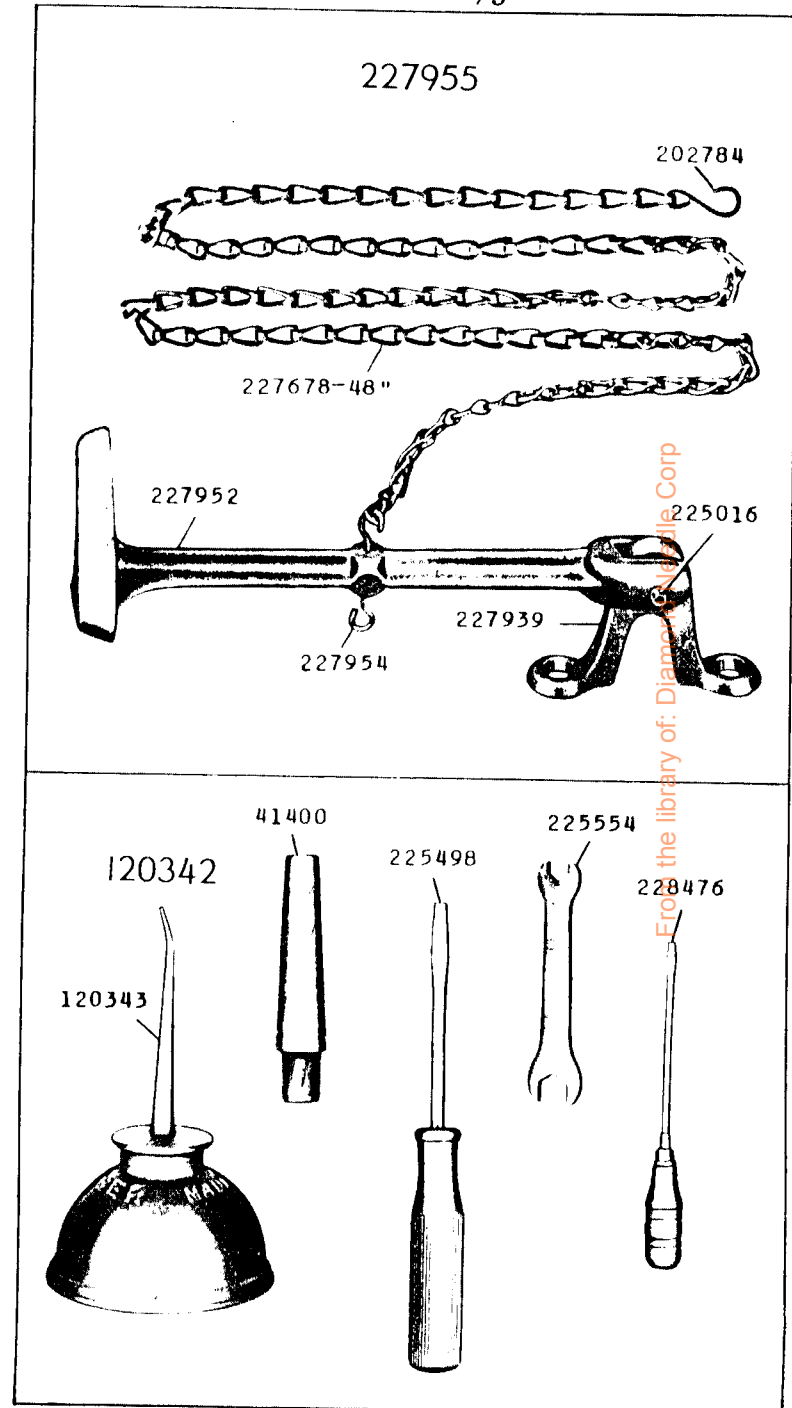
16675 - 2/3



16676 - 3/8

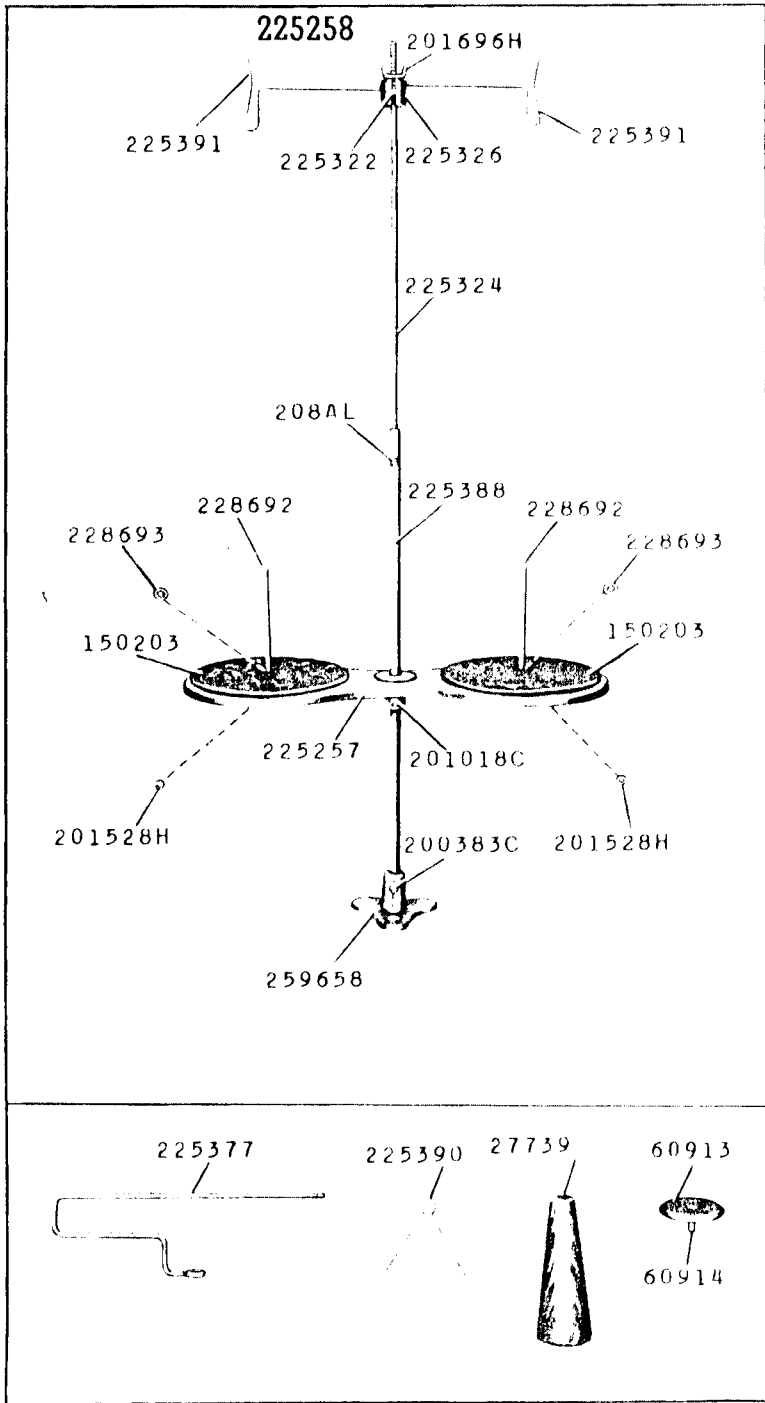


17620 - 1/3



From the library of: Diamant Medical Corp

17900 - 1/6



From the library of: Diamond Needle Corp